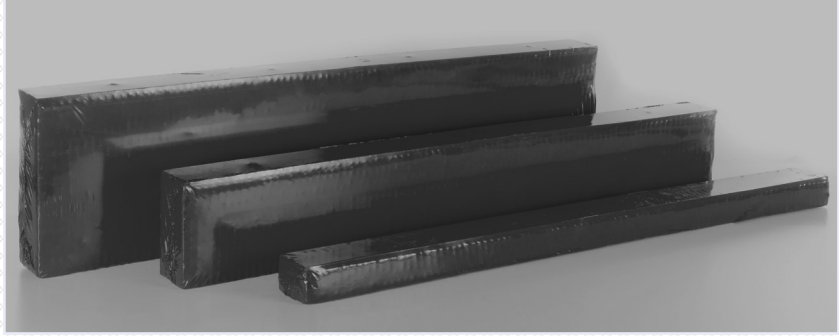


Key Features:

- 60 Mins Integrity Fire Rating
- 60 Mins Insulation Fire Rating
- Maintains 25mm air gap
- Up to 300mm cavities
- Weather Proof/Age Tested



TENMAT's VFB 60/60 Ventilated Fire Barrier is an 'Open State' cavity fire barrier system for ventilated cavities of up to 300mm which employs a high expansion intumescent seal fixed to **TENMAT** High Density Mineral Wool. The product has undergone extensive fire testing to BS EN1363-1, EOTA TR31, and to the principles of ASFP TGD19 (Fire Resistance Test for 'Open-State' Cavity Barriers). It is suitable for use within the majority of construction types, enabling the versatile system to be specified with confidence and provide the installer with a simple, time saving and site friendly solution.

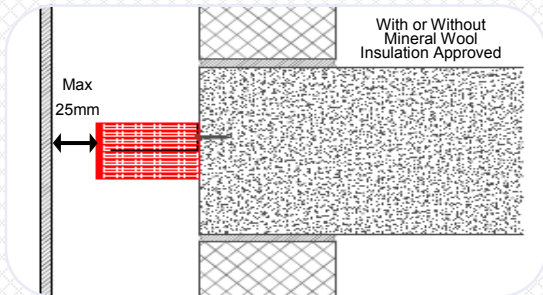
The VFB 60/60 can be mechanically fixed horizontally within ventilated cavities behind rainscreen or cladding systems to act as a cavity fire barrier, and can be complemented by the NVFB for vertical applications.

Product Dimensions:

Thickness (Total Cavity less 25mm Air Gap) x 75mm x 1000mm

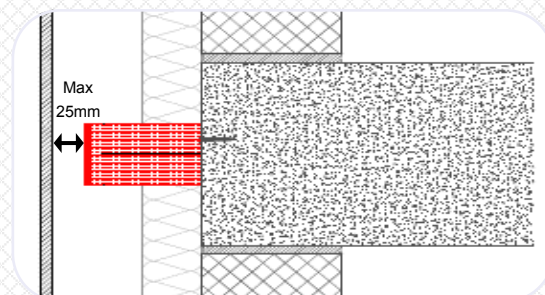
Examples of Approved Applications

VFB 60/60 Fixed to Non-Combustible Constructions



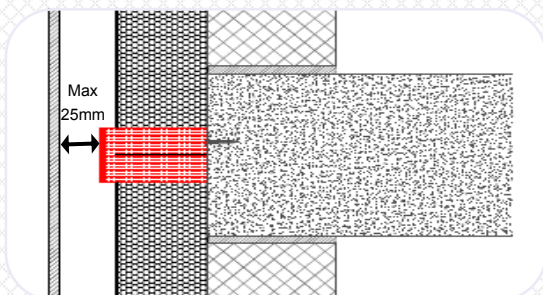
VFB Ref.	Assessed Construction Type	Integrity Fire Rating	Insulation Fire Rating
VFB 60/60	Brick, Block, Masonry, Concrete	60	60

VFB 60/60 Fixed between Mineral Fibre Insulation



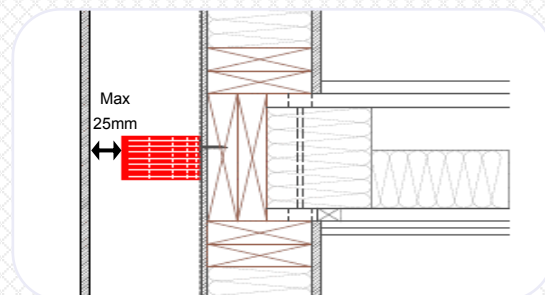
VFB Ref.	Assessed Construction Type	Integrity Fire Rating	Insulation Fire Rating
VFB 60/60	Brick, Block, Masonry, Concrete	60	60

VFB 60/60 Fixed between Kingspan K15 Rigid Insulation



VFB Ref.	Assessed Construction Type	Integrity Fire Rating	Insulation Fire Rating
VFB 60/60	Brick, Block, Masonry, Concrete	60	60

VFB 60/60 Fixed to Combustible Timber Constructions



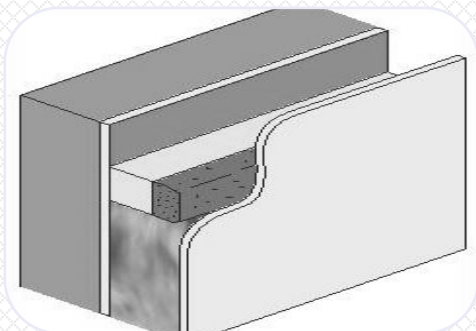
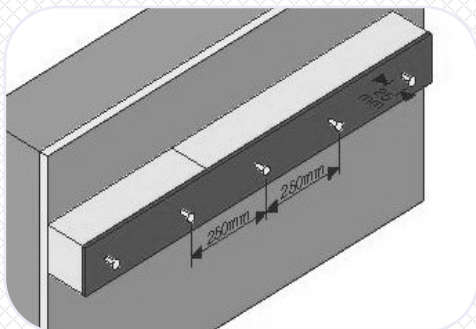
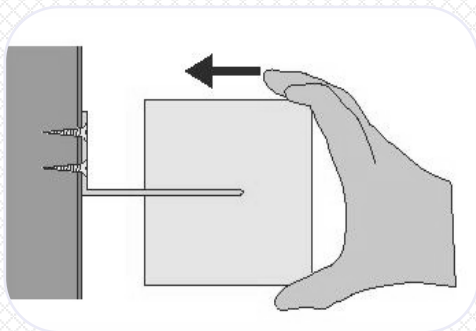
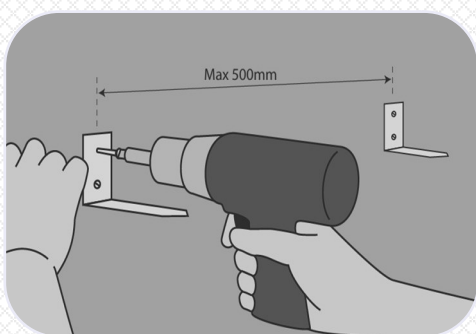
VFB Ref.	Assessed Construction Type	Integrity Fire Rating	Insulation Fire Rating
VFB 60/60	Timber Frame	Check with TENMAT	

General Fitting Instructions

For detailed fitting instructions for various applications please contact **TENMAT**.

TENMAT's VFB 60/60 is a particularly versatile and extensively fire tested Ventilated Fire Barrier which can be installed in a wide range of construction types. The product is simply mechanically fixed in position to leave up to a maximum 25mm air gap.

Total Cavity Size	Brackets Supplied (per metre length)
Up to 120mm	None (screw fixed)
120-239mm	2No. Multipurpose Brackets + 4No. Pigtail Screws
240-300mm	3No. Multipurpose Brackets + 4No. Pigtail Screws



- Fix VFB 60/60 with steel fixing brackets (if supplied) using suitable non-combustible fixings
- For cavities up to 120mm, directly fix with non-combustible nails or screws at max. 250mm centres
- Product must be fixed at max. 500mm centres up to 259mm cavities, and max. 350mm centres for 260-300mm cavities
- Each section of VFB 60/60 must be mechanically fixed
- The brackets should be fitted at the centre point of the product
- The bracket should not protrude through the intumescent element
- Cut the bracket down to size if required
- Ensure label side is facing out so that intumescent element faces into cavity in case of fire
- Use 65mm Pigtail Screws to fix intumescent to the VFB 60/60 at 250mm centres, 4 per metre
- Leave Pigtails proud by 25mm to maintain required air gap (Pigtails not required if directly fixing product at 250mm centres)
- Adjacent lengths must be tightly butted together
- Maximum remaining air gap to the back of the cladding panel is 25mm
- Ensure Fire Barrier is free to expand in a fire situation

TENMAT Limited, Ashburton Road West, Trafford Park, Manchester, M17 1TD, United Kingdom

Tel: +44 (0) 161 872 2181 - Fax: +44 (0) 161 872 7596 - E-Mail: info@tenmat.com - Web: www.tenmat.com

